



front mounted rotary operator standard IEC IP30/40 accessory for: 3VM10/11

Model	
product brand name	SETRON
product designation	Accessories
design of the product	Front rotary operating mechanism
accessories	Front rotary operator

General technical data	
protection class IP	IP30

Mechanical Design	
height	70 mm
width	77 mm
depth	95 mm

Certificates	
General Product Approval	Test Certificates

[Confirmation](#)



[Miscellaneous](#)



[Miscellaneous](#)

Marine / Shipping	other	Environment	
-------------------	-------	-------------	--



[Miscellaneous](#)

[Confirmation](#)

[Environmental Con-
firmations](#)

[Environmental Con-
firmations](#)

Further information

Information on the packaging

<https://support.industry.siemens.com/cs/ww/en/view/109813875>

Information- and Downloadcenter (Catalogs, Brochures,...)

<http://www.siemens.com/lowvoltage/catalogs>

Industry Mall (Online ordering system)

<https://mall.industry.siemens.com/mall/en/en/Catalog/product?mlfb=3VM9117-0EK11>

Service&Support (Manuals, Certificates, Characteristics, FAQs,...)

<https://support.industry.siemens.com/cs/ww/en/ps/3VM9117-0EK11>

Image database (product images, 2D dimension drawings, 3D models, device circuit diagrams, ...)

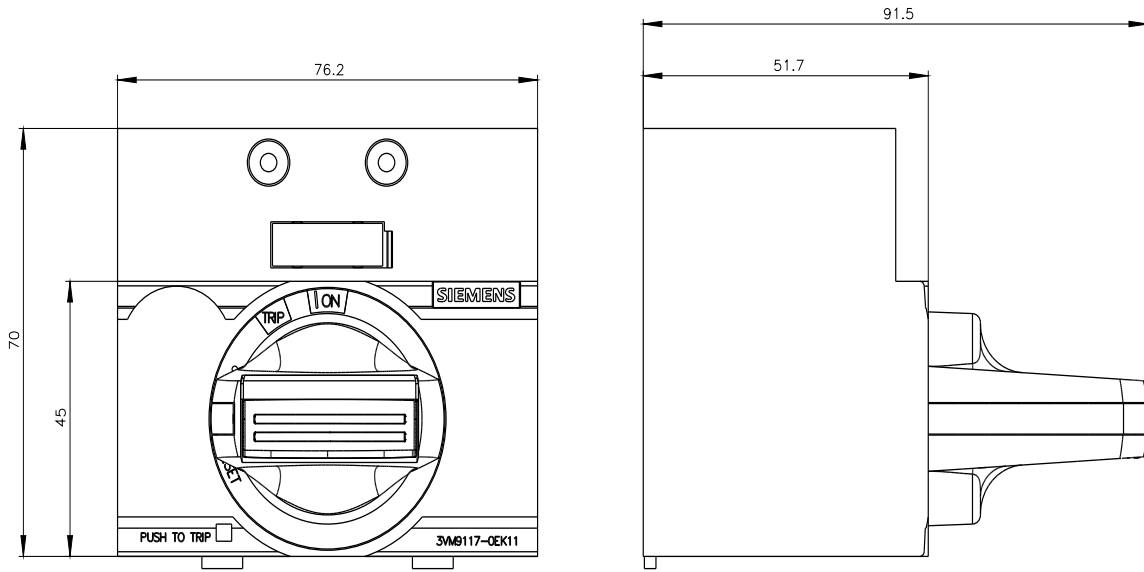
http://www.automation.siemens.com/bilddb/cax_en.aspx?mlfb=3VM9117-0EK11

CAX-Online-Generator

<http://www.siemens.com/cax>

Tender specifications

<http://www.siemens.com/specifications>



last modified:

2/2/2021 

